

VersaPulse® PowerSuite™ Accessories

Holmium and Dual Wavelength Lasers

To purchase any of the items on this page: in U.S. contact Boston Scientific at 888-272-1001. Outside of the U.S., order through your local Lumenis sales office or distributor.

Urology
ENT
Orthopedics
Gynecology
General

SlimLine™ Reusable Fibers

This end-firing bare fiber is available in 200, 365, 550, and 1000 micron optical fiber configurations. The SlimLine reusable fibers are used for a variety of endoscopic procedures.

	MAX. OUTER DIAMETER	LUMENIS PART #	SPECIALTY
SlimLine 200, Dual Wavelength, Reusable, Blue Jacket €€	0.45 mm (1.35F)	0626-221-20	● ● ● ● ● ●
SlimLine 365, Dual Wavelength, Reusable, Blue Jacket €€	0.58 mm (1.75F)	0624-148-36	● ● ● ● ● ●
SlimLine 550, Dual Wavelength, Reusable, Blue Jacket €€	0.78 mm (2.25F)	0624-149-55	● ● ● ● ● ●
SlimLine 1000, Dual Wavelength, Reusable, Blue Jacket €€	1.45 mm (4.5F)	0627-497-01	● ● ● ● ● ●
SlimLine Sterilization Tray €€ 	N/A	0627-920-01	● ● ● ● ● ●


SlimLine EZ™ Single Use Fibers

The SlimLine EZ single use fibers offer NEW fiber performance for every case and eliminate the hassles of reprocessing. SlimLine EZ fibers are designed with a custom optical fit for Lumenis lasers to maximize system performance and minimize the risk of damaging scope or laser.

SlimLine EZ 200, Dual Wavelength, Green Jacket	0.45 mm (1.35F)	[U.S. orders only]	● ● ● ● ● ●
SlimLine EZ 365, Dual Wavelength, Green Jacket	0.58 mm (1.75F)	[U.S. orders only]	● ● ● ● ● ●
SlimLine EZ 550, Dual Wavelength, Green Jacket	0.78 mm (2.25F)	[U.S. orders only]	● ● ● ● ● ●

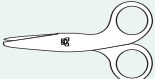
DuoTome™ Single Use Fiber

This device directs the laser energy at a 70° angle. The DuoTome fibers are designed to be used in a fluid environment. Maximum outer diameter 2.4 mm (7.2F).

DuoTome™ Sidelite™ 550, Dual Wavelength €€ 		0623-703-01	●
--	--	-------------	---


Ceramic Scissors

The ceramic scissors are used to cleave optical fibers for tip renewal.

Ceramic Scissors 		5402-0152	● ● ● ● ● ●
--	--	-----------	-------------

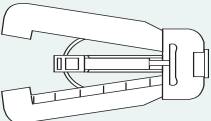
Cleaving Tool

The cleaving tool is a scribe pen used to score the optical fiber prior to tip renewal.

Cleaving Tool 		5402-0141	● ● ● ● ● ●
---	--	-----------	-------------

Strippers

The stripper is used to remove the protective outer jacket from the distal end of the optical fiber. The size of the fiber to be stripped determines the appropriate stripper.

Stripper 200 		5402-0164	● ● ● ● ● ●
Stripper 365		5402-0163	● ● ● ● ● ●
Stripper 550		5402-0151	● ● ● ● ● ●
Stripper 1000		5402-0159	● ● ● ● ● ●

To purchase any of the items on this page: contact your local Lumenis sales office or distributor.



SurgiTome™ Single Use Delivery Devices

The SurgiTome can be used in air or fluid environments and is available in two tip configurations, designed to direct the laser energy 0° or 15°. Tip maximum outer diameter 1.7 mm (5.1F), probe length 5 cm, handpiece 12.7 cm.

	LUMENIS PART #	SPECIALTY
SurgiTome 50 mm 0° C€ 	0624-823-01	■ ◆ ▼
SurgiTome 50 mm 15° C€ 	0624-824-01	■ ◆ ▼


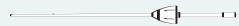
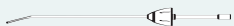
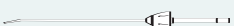


DiskeTome™ Single Use Delivery Device

The DiskeTome is designed for orthopedic endoscopic procedures. The length, rigidity, and small diameter of the instrument make it ideal for shallow access or use in small joints. Tip maximum outer diameter 1.7 mm (5.1F), probe length 20.3 cm, handpiece length 2 cm.

DiskeTome C€ 	0624-829-01	◆
---	-------------	---

VersaLink™ / VersaTip™ Limited Reuse Delivery Devices

This multiple-use handpiece system provides the greatest flexibility for arthroscopic or endoscopic applications in a fluid environment. The VersaLink handpiece is used with the VersaTip probes. The VersaTip is available in four tip configurations, designed to direct the laser energy from 0° to 70°. Probe tip maximum outer diameter 1.7 mm (5.1F), probe length 12.7 cm.

VersaLink Handpiece, Reusable C€ 	0624-175-01	■ ◆ ▼
VersaTip 0°, Reusable C€ 	0622-651-00	■ ◆ ▼
VersaTip 15°, Reusable C€ 	0622-651-15	■ ◆ ▼
VersaTip 30°, Reusable C€ 	0622-651-30	■ ◆ ▼
VersaTip 70°, Reusable C€ 	0622-651-70	■ ◆ ▼
VersaLink and VersaTip Sterilization Tray 	0619-760-01	■ ◆ ▼


InfraTome® Single Use Delivery Devices

The low-profile tip on these instruments makes them ideal for accessing hard-to-reach areas during arthroscopic and endoscopic procedures. The InfraTome is available in four tip configurations, designed to direct the laser energy from 0° to 70°. Tip maximum outer diameter 1.7 mm, probe length 12.7 cm, handpiece length 12.7 cm.

InfraTome 0° C€ 	0624-084-00	■ ◆ ▼
InfraTome 15° C€ 	0624-084-15	■ ◆ ▼
InfraTome 30° C€ 	0624-084-30	■ ◆ ▼
InfraTome SideLite 70° C€ 	0629-380-70	■ ◆ ▼



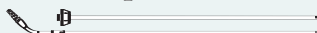

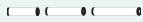



Fiber Inspection Microscope

This hand-held scope is designed to inspect the connector and the optical fiber to ensure the integrity of the laser/delivery device interface. It is also used to inspect the distal end of the delivery device to ensure optimum tip renewal and delivery of laser energy.

Fiber Inspection Microscope 	0622-921-01	● ■ ◆ ▲ ▼
---	-------------	-----------

VersaCut™ Morcellator

Ideal for the rapid endoscopic removal of tissue through morcellation.

VersaCut Morcellator System ¹ C€	0637-245-01	●
VersaCut Control Box with Foot Pedal 	0637-202-01	●
VersaCut Handpiece, Reusable 	0637-201-01	●
VersaCut Blade Set, Reusable 	0636-454-01	●
VersaCut Sterile Pump Tubing, Single Use, Pack of 5 	2521-0219	●
VersaCut Endoscopic Adapter Kit, Reusable, Pack of 3 	0637-191-01	●
VersaCut Morcellator Steam Sterilization Tray 	0636-469-01	●
VersaCut Long Cleaning Brushes, Pack of 3 	5404-0060	●
VersaCut Short Cleaning Brushes, Pack of 3 	5404-0061	●

¹Includes one control box, one handpiece, two blade sets, two pieces of sterile tubing, one sterilization tray, and one package each of three long cleaning brushes, three short cleaning brushes and three endoscope adapters.